

Broad Band Unsymmetrical Power Divider 1:10

DESCRIPTION

- Used where unsymmetrical splitting of the signal is required.
- Two antennas connected to the same transmitter or receiver where 10% of the signal either comes from or is transmitted to one of the antennas.
- Broad band power splitter for radio systems. Max. 30 W.
- 30 W load built-in.



SPECIFICATIONS

Electrical	
Model	PRO-BBPHY 2/70-20-10 dB-N
Frequency	146 - 470 MHz
Type	Cascaded Wilkinson-hybrid
Max. Input Power	30 W when used as a power splitter
Insertion Loss	High power port : < 3.2 dB typ. 2.4 dB Low power port : -10 dB ±1 dB (typ. -10 dB ±0.6 dB)
Impedance	50 Ω
Isolation Low-High Port	> 14 dB (typ. > 17 dB)
VSWR	< 1.5:1 (typ. = 1.3:1 dB) all other ports terminated with 50 Ω
Load	30 W load built-in

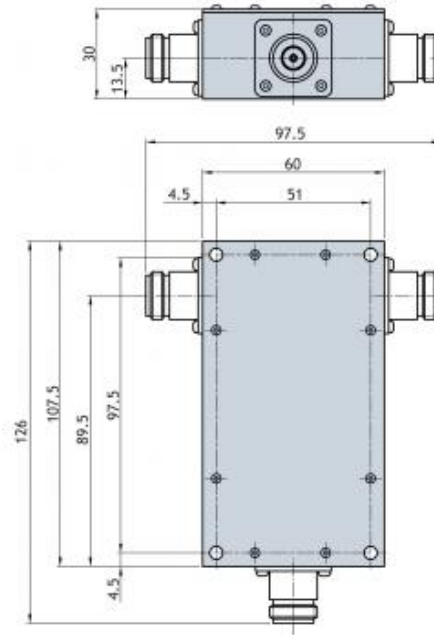
Mechanical	
Connection(s)	N(f) (other on request)
Dimensions	126 (incl. conn.) x 97.5 (incl. conn.) x 30.3 mm / 4.96 (incl. conn.) x 3.84 (incl. conn.) x 1.19 in.
Weight	Approx. 0.4 kg / 0.88 lb.

Environmental	
Operating temperature range	-30 °C to +60 °C
Ingress Protection	IP64

ORDERING

Model	Product No.
PRO-BBPHY 2/70-20-10 dB-N	210000281

MOUNTING DETAILS



All dimensions are given in mm.

TYPICAL RESPONSE CURVE

